

The Veritas® Chairmaker's Scraper is a versatile tool for fast, effective final shaping and smoothing of furniture components. The scraper comes standard with one straight blade for flat work. The four optional blades, three concave (1/2", 7/8" and 1 1/4" diameter) and one convex (1 1/2" radius), are ideal for working chair spindles, rungs, legs, and seat pans. All blades are 0.060" thick high-carbon steel, hardened to Rc48-52 and come with a finely ground 45° cutting edge. The machined cast steel body is fitted with a large, comfortable rear handle and front knob of hardwood.

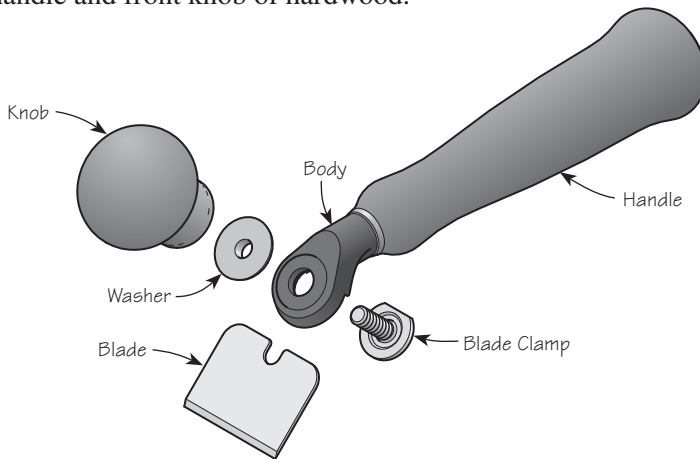


Figure 1: Chairmaker's scraper components.

The chairmaker's scraper is used with a pulling action. Since you will achieve the best results when working with the grain, you will have to rotate the workpiece as needed.

Sharpening

The bevel angle on the supplied straight blade is ground at 45°, making it easy to burnish or deform the metal of the bevel into a relatively aggressive burr or hook (see **Figure 2**).

The burnishing angle should be about 15° (see **Figure 3**). An angle of 20° or more will result in too much scraping and not enough cutting (producing dust, not shavings). Smaller angles (closer to horizontal) may not cut at all as no cutting edge is introduced to the wood, or there may be no relief angle and the blade will just slide along the surface of the workpiece.

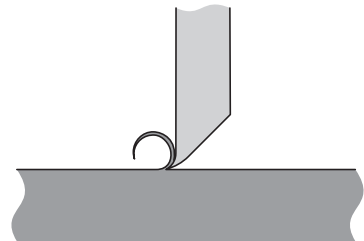


Figure 2: Scraper cutting detail.

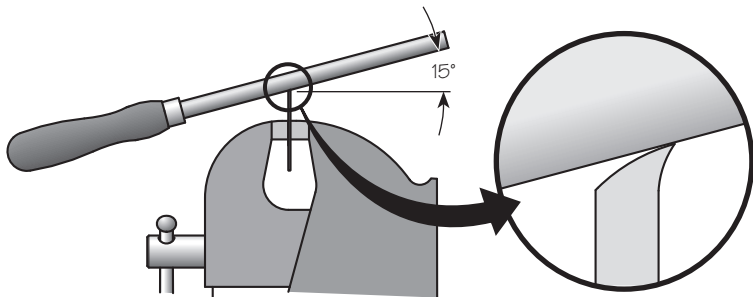


Figure 3: Burnishing.

To maintain the proper shape of the optional convex and concave blades, do not regrind these until absolutely necessary (i.e., when you can no longer create an acceptable cutting edge by honing). To maintain the 1½" radius on the convex blade, use a back-and-forth sweeping motion as you hone and lap. The best way to accurately regrind the bevel on the concave blades is with a simple homemade blade holder and sanding drum in a drill press. Use a ½" dia. drum on the ½" blade, a 1" dia. drum on the 7/8" blade, and a 1½" dia. drum on the 1¼" blade.

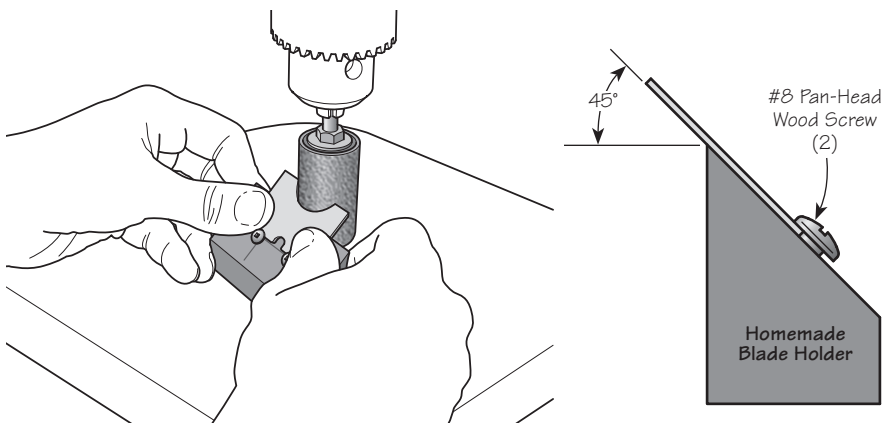


Figure 4: Grinding the bevel.

Use a carver's slip or a sheet of 600x sandpaper wrapped around a dowel to hone the cutting edge bevel as shown in **Figure 5**. Hone only until a fine wire edge develops. Then, as shown in **Figure 6**, lap the face of the blade near the cutting edge on a 1000x stone to achieve the same finish as on the bevel. A sharp edge can only be achieved by creating two intersecting surfaces honed to the same degree.

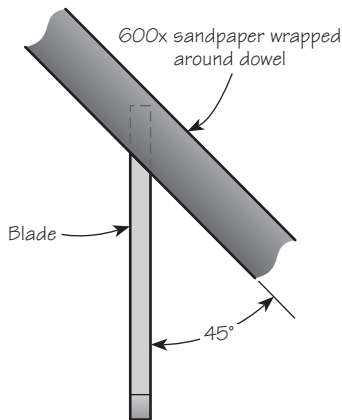


Figure 5: Honing.

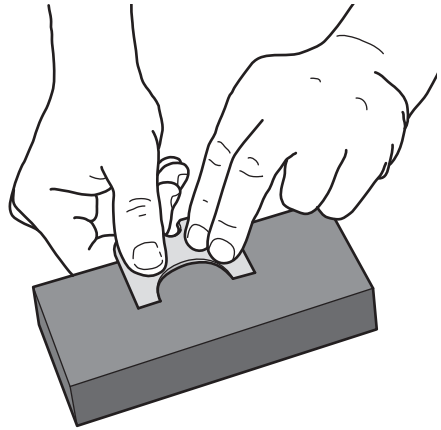


Figure 6: Lapping.

Care and Maintenance

The blade and the machined surface on the body under the blade come treated with rust preventative. Remove this using a rag dampened with mineral spirits.

If storage conditions are damp or humid, your chairmaker's scraper should be wrapped in a cloth or stored in a plane sack. This precaution will also guard against dings and scratches.

Accessories

05P33.81 Replacement Straight Blade

05P33.82 1/2" Concave Blade

05P33.83 7/8" Concave Blade

05P33.84 1 1/4" Concave Blade

05P33.85 1 1/2" Convex Blade

05P33.88 Set of 4 Optional Blades